

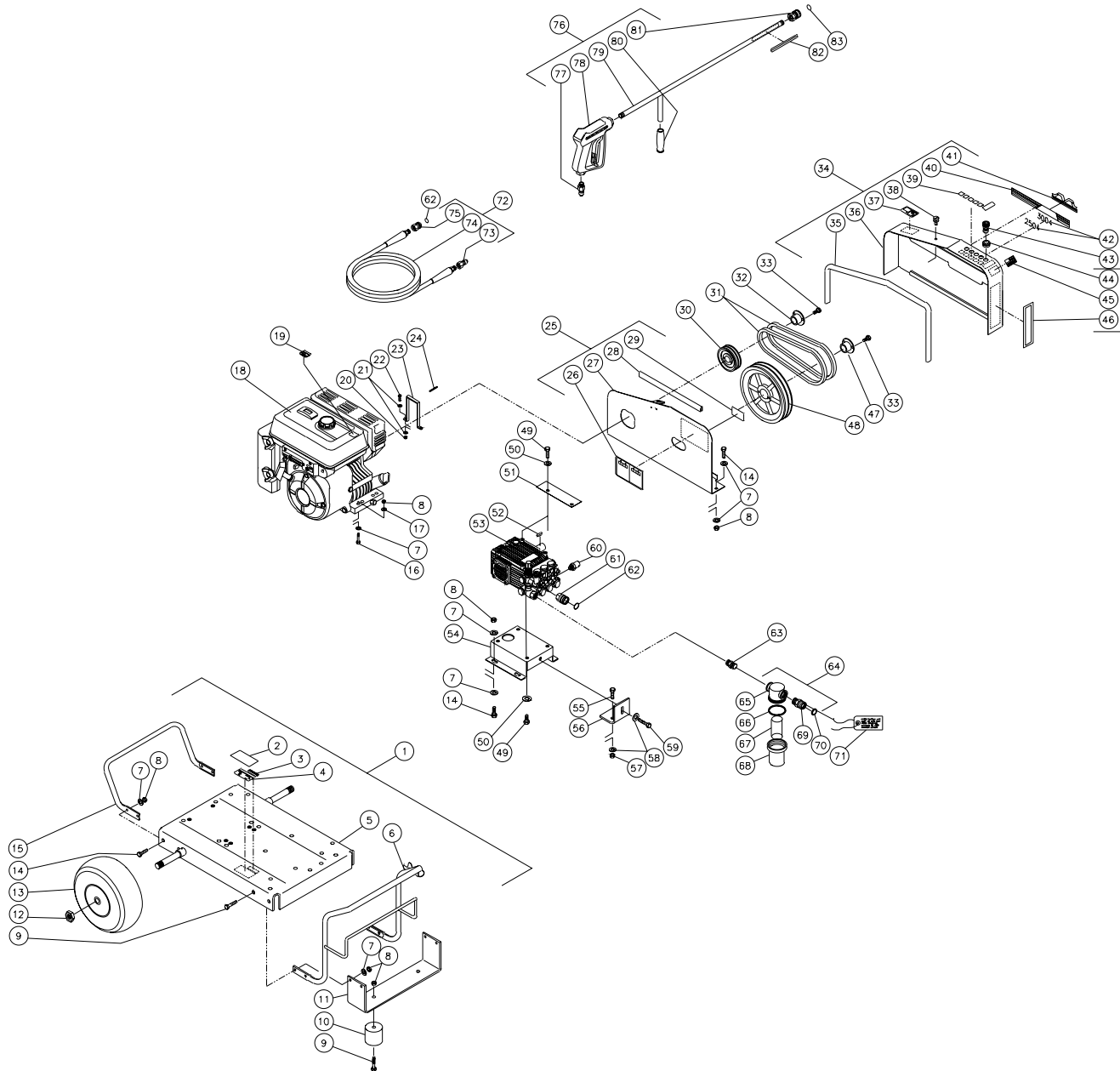
Mi-T-M[®] CORPORATION

8650 Enterprise Drive, Peosta IA 52068-0050
319-556-7484 / Fax 319-556-1235

CW-2504/3004-1MKB PARTS LIST

ENGINE OIL GRADE :	SAE 10W 30
ENGINE OIL CAPACITY / 9.5 HP:	38.4 oz.
ENGINE OIL CAPACITY / 11.5 HP:	44.8 oz.
PUMP OIL:	Mi-T-M #AW-4085-0016
PUMP OIL CAPACITY:	18.5 oz.
NOZZLE SIZE:	4.5

FRAME ASSEMBLY FOR CW-2504/3004-1MKB

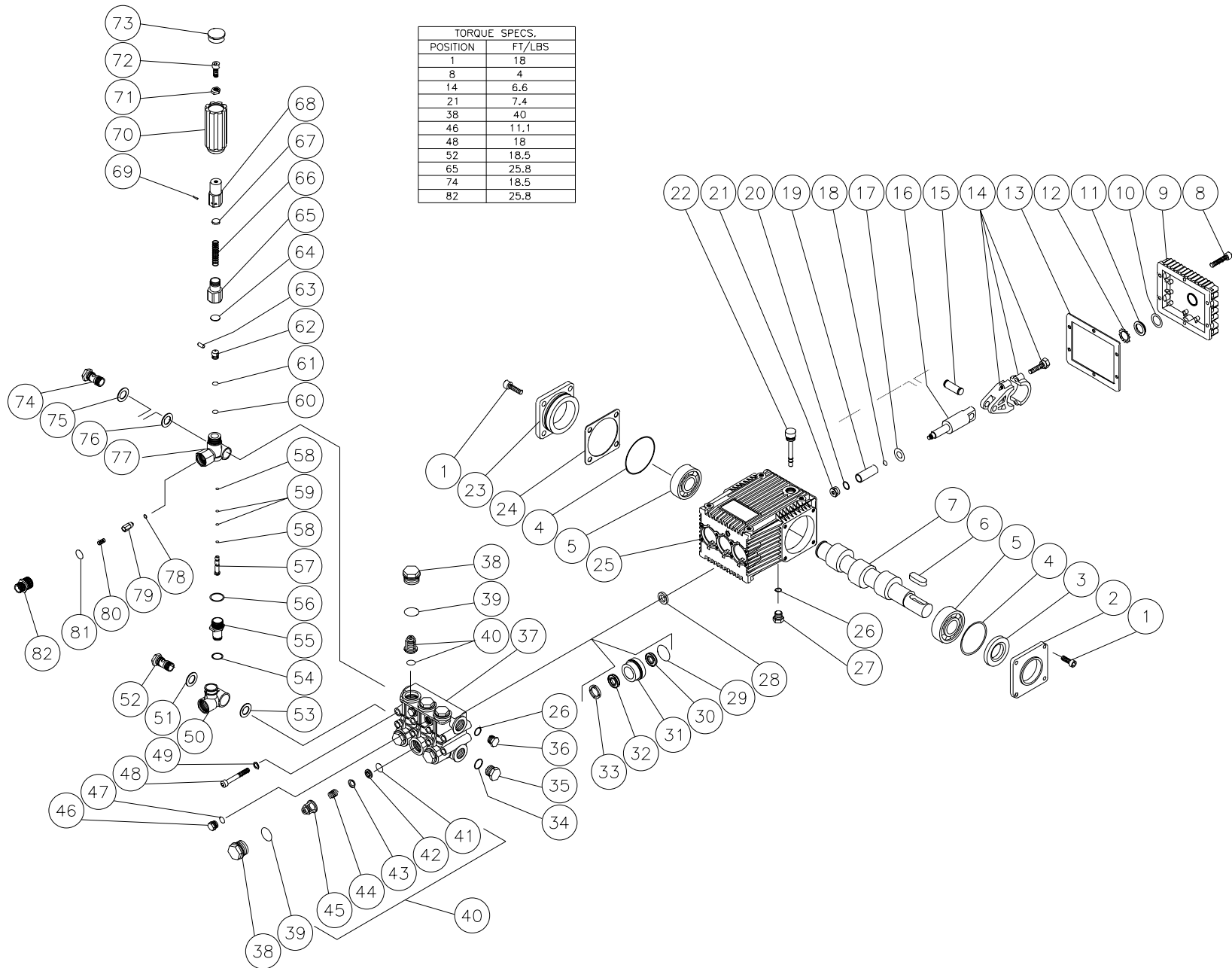


OMCWU252/041598/RD

FRAME ASSEMBLY FOR CW-2504/3004-1MKB											
REF. #	DESCRIPTION	PART #	QTY.	REF. #	DESCRIPTION	PART #	QTY.	REF. #	DESCRIPTION	PART #	QTY.
1	Base Plate Assembly (5-15)	851-0209	1	30	Sheave: CW-2505-1MKB	10-0074	1	55	Bolt	27-0118	2
2	Decal-Clear Laminate	34-0210	1	--	Sheave: CW-3004-1MKB	10-0067	1	56	Brace Tightener	13-0005A01	1
3	Decal-Cold Water Serial Number	N/A	1	31	Belt	11-0023	2	57	Locknut	30-0159	2
4	Decal-I.D. Silver Sticker	34-0075	1	32	Bushing	9-0005	1	58	Washer	28-0023	3
5	Base Plate	5-0090A01	1	33	Bolt	27-0015	4	59	Bolt	27-0576	1
6	Handle-Front	7-0101A01	1	34	Beltguard Cover Assembly (35-41, 44-46)	851-0214	1	60	Heat Dump Valve	22-0005	1
7	Washer	28-0003	28	35	Edging *(3 feet required)	33-0020	1	61	Quick Connect Socket	17-0004	1
8	Locknut	30-0157	22	36	Beltguard Cover (See 851-0214) (Ref. 34)	N/A Sep.	1	62	O-ring	25-0123	2
9	Bolt	27-0068	6	37	Decal-Warning: Muffler Hot	34-0130	1	63	Hex Nipple	23-0012	1
10	Isolator	14-0008	2	38	Fastener	33-0197	1	64	Strainer (65-70)	19-0057	1
11	Underbracket	13-0042A01	1	39	Decal-Nozzles	34-0500	1	65	Strainer Cap	19-0058	1
12	Jamnut	30-0117	2	40	Decal-Mi-T-M Stripe	34-0502	1	66	Strainer Gasket	26-0160	1
13	Wheel	14-0006	2	41	Decal-Mi-T-M Logo	62-0086	1	67	Strainer Steel Screen	19-0059	1
14	Bolt	27-0067	12	42	Decal-White Die Cut 2504	34-0512	1	68	Strainer Bowl	19-0060	1
15	Handle-Rear	7-0104A01	1	--	Decal-White Die Cut 3004	34-0105	1	69	Garden Hose Swivel	23-0095	1
16	Bolt	27-0070	4	43	Spray Nozzle-00045	18-0033	1	70	Garden Hose Gasket	26-0001	1
17	Shim-Engine	33-0169	4	--	Spray Nozzle-15045	18-0039	1	71	Tag-Water Supply Inlet	34-0097	1
18	Engine 9.5 HP: CW-2504-1MKB	1-0072	1	--	Spray Nozzle-25045	18-0060	1	72	High Pressure Hose Assy. (73-75)	851-0007	1
--	Engine 11.0 HP: CW-3004-1MKB	1-0073	1	--	Spray Nozzle-40045	18-0065	1	73	Quick Connect Plug	17-0006	1
19	Decal-Caution: Allow to Cool	34-0588	1	44	Grommet	33-0001	5	74	High Pressure Hose (3/8 x 50")	15-0003	1
20	Locknut	30-0155	2	45	Decal-American Flag	34-0521	1	75	Quick Connect Socket	17-0004	1
21	Washer	28-0002	4	46	Decal-Operating Instructions	34-0499	1	76	Gun/Wand Assembly (77-81)	851-0095	1
22	Bolt	27-0015	2	47	Bushing	9-0017	1	77	Quick Connect Plug	17-0005	1
23	Finger Guard	6-0054A01	1	48	Sheave	10-0035	1	78	Gun	16-0001	1
24	Key	43-0078	1	49	Bolt	27-8042	6	79	Wand	16-0120A01	1
25	Beltguard Back Assy. (26-29)	851-0213	1	50	Lockwasher	29-0054	6	80	Handle Grip	7-0002	1
26	Decal-Caution/Warning	34-0498	1	51	Finger Guard	6-0087A01	1	81	Quick Connect Socket	17-0001	1
27	Beltguard Back (See 851-0213, Ref. 25)	N/A Sep.	1	52	Key-with Pump	46-0601	1	82	Decal-Warning: Risk of Injection	34-0572	1
28	Edging *(2 feet required)	33-0020	1	53	Pump	3-0176	1	83	O-ring	25-0122	2
29	Decal-Warning: Beltguard Cover	34-0575	1	54	Pump Bracket	5-0103A01	1		*Must order in one foot lengths		

PUMP ASSEMBLY (3-0176)

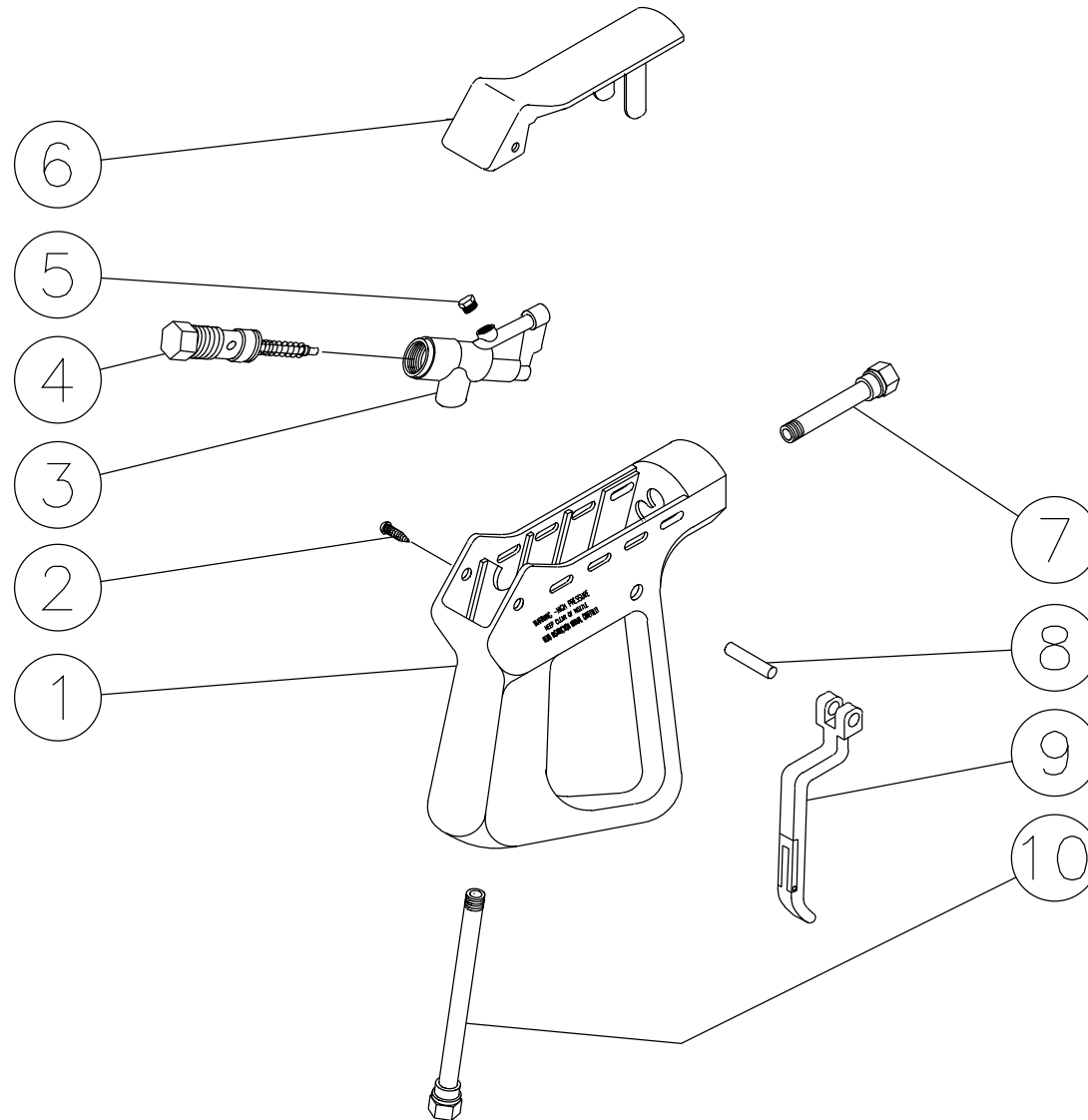
TORQUE SPECS.	
POSITION	FT/LBS
1	18
8	4
14	6.6
21	7.4
38	40
46	11.1
48	18
52	18.5
65	25.8
74	18.5
82	25.8



OMPMP055/051498/RD

PUMP ASSEMBLY (3-0176)											
REF. #	DESCRIPTION	PART #	QTY.	REF. #	DESCRIPTION	PART #	QTY.	REF. #	DESCRIPTION	PART #	QTY.
1	Bolt	27-8884	8	30	Low Pressure Seal (See 70-0177)	N/A Sep.	3	60	O-ring (See 70-0180)	N/A Sep.	1
2	Shaft Cover	46-0691	1	31	Packing Retainer	46-0708	3	61	Back-up Ring (See 70-0180)	N/A Sep.	1
3	Oil Seal	26-0188	1	32	V-Packing (See 70-0177)	N/A Sep.	3	62	Poppet	8-0443	1
4	O-Ring	25-0380	2	33	Support Ring (See 70-0178)	N/A Sep.	3	63	Pin	8-0444	1
5	Roller Bearing	48-0061	2	34	O-ring	25-0372	1	64	Spring Button	8-0445	1
6	Key	43-0091	1	35	Plug	39-0088	1	65	Guide Spring	8-0474	1
7	Crankshaft	46-0692	1	36	Plug	39-0086	1	66	Spring	49-0132	1
8	Bolt	27-8885	6	37	Manifold	46-0711	1	67	Spring Button	8-0475	1
9	Crankcase Cover	46-0693	1	38	Valve Cap	39-0095	6	68	Adjustment Barrel	8-0476	1
10	O-ring	25-0370	1	39	O-ring	25-0160	6	69	Pin	8-0477	1
11	Oil Sight Glass	46-0670	1	40	Single Valve Assy. (Inc. 41-45) (See 70-0179)	N/A Sep.	6	67	Unloader Knob	7-0141	1
12	Retainer	46-0671	1	41	O-ring	25-0386	6	68	Nut	30-3025	1
13	Gasket	26-0189	1	42	Valve Seat (See 70-0179)	N/A Sep.	6	72	Bolt	27-8433	1
14	Connecting Rod-Aluminum	46-0696	3	43	Valve Plate (See 70-0179)	N/A Sep.	6	73	Cap	7-0142	1
15	Piston Pin	46-0698	3	44	Valve Spring (See 70-0179)	N/A Sep.	6	74	Adaptor	8-0448	1
16	Plunger Rod	46-0699	3	45	Valve Cage (See 70-0179)	N/A Sep.	6	75	Washer	8-0449	1
17	Slinger Washer	46-0700	3	46	Plug	39-0096	2	76	Washer	8-0450	1
18	O-ring	25-0382	6	47	O-ring	25-0387	2	77	Unloader Body	8-0451	1
19	Ceramic Piston	46-0701	3	48	Bolt	27-8440	8	78	O-ring	25-0391	1
20	Washer	26-0191	3	49	Lockwasher	29-0154	8	79	Check Valve	8-0454	1
21	Nut	30-6020	3	50	Inlet Bypass Adapter	8-0437	1	80	Spring	49-0123	1
22	Oil Dipstick	39-0090	1	51	Washer	8-0440	1	81	O-ring	25-0372	1
23	Bearing Cap	46-0703	1	52	Adaptor	8-0438	1	82	Adaptor Nipple	24-0159	1
24	Shim 0.1mm (Quantity varies 1-3)	46-0704	--	53	Washer	8-0439	1		High Pressure Seal Kit (Inc. 3 each 29, 30, 32)	70-0177	
	Shim 0.2mm (Quantity varies 1-3)	46-0705	--	54	O-ring (See 70-0180)	N/A Sep.	1		Support Ring Kit (Includes 3 each 33)	70-0178	
25	Crankcase	46-0706	1	55	Nipple	8-0441	1		Valve Kit (Includes 6 each 41-45)	70-0179	
26	O-ring	25-0325	2	56	O-ring (See 70-0180)	N/A Sep.	1		Unloader Repair Kit (Inc. 54, 56,58-61, 78)	70-0180	
27	Plug	39-0086	1	57	Piston	8-0442	1		Unloader Complete (50-80)	8-0456	
28	Oil Seal	26-0190	3	58	Back-up Ring (See 70-0180)	N/A Sep.	2				
29	O-ring	25-0384	3	59	O-ring	25-0371	5				

GUN ASSEMBLY (16-0001)



GUN ASSEMBLY (16-0001)			
Ref. #	Description	Part #	Qty.
1	Plastic Housing	16-0008	1
2	Screw	27-3230	2
3	Brass Housing	16-0012	1
4	Gun Repair Kit	70-0055	1
5	Brass Plug	39-0024	1
6	Plastic Cover	16-0009	1
7	Pipe Assembly	16-0013	1
8	Trigger Pin	16-0063	1
9	Trigger Safety Lock-off	16-0010	1
10	Pipe Assembly-Inlet	16-0016	1
	Gun Assembly Complete	16-0001	1

